

---

# **BuzziHug Work**

## **Product Specification Sheet**

---

This document contains technical information about the Hug Work

---




[www.buzzi.space](http://www.buzzi.space)

## The Coziest Workstation


Made from a cardboard core and high-quality acoustic materials, BuzziHug Work provides visual and acoustic privacy where individuals can focus and recharge in peace. The solution can be customized in various fabrics, colors and table finishes to complement any workspace aesthetic and meet specific user preferences. The workstation is available in two different models, BuzziHug Work Small and BuzziHug Work Medium, and two different heights.

Design by BuzziSpace Studio

## General


 S | M


Upholstered acoustic foam element

 Tablet: Antwerp Oak or White Laminate (with or without cable tray)

Legs: Metal Powder Coated Black (RAL 9005)

Fabrics: Fabric, Trevira CS+ | CS, Remix 3, Clara 2, Hero 2, Tonus 4 or Memory 2

 Dry Use

 Unassembled

---

## Acoustics



Absorption



Diffusion



Attenuation



Low tone



Mid tone



High tone

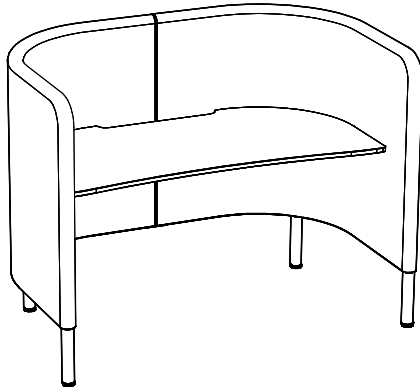
---

## Content

Configurations	3
Components	4
Fabrics	5
Dimensions	8
Dimensions Worktop	9

# Configurations

## BuzziHug Work



🔑 S | M

Upholstered acoustic foam element



Tablet: Antwerp Oak\* or White Laminate (with or without cable tray)

Legs: Metal Powder Coated Black (RAL 9005)

Fabrics: Fabric, Trevira CS+ | CS, Remix 3, Clara 2, Hero 2, Tonus 4 or Memory 2

S: Width: 125 cm    Depth: 100 cm    Height: 120 or 135 cm  
Width: 49.21"    Depth: 39.37"    Height: 47.24" or 53.15"



M: Width: 165 cm    Depth: 100 cm    Height: 120 or 135 cm  
Width: 64.96"    Depth: 39.37"    H 47.24" or 53.15"

S: H120 Oak without cable tray:            29,6 kg | 65.26 lbs  
S: H120 Oak with cable tray:                32,3 kg | 71.21  
S: H120 White Laminate without cable tray:    30 kg | 66.14 lbs  
S: H120 White Laminate with cable tray:    32,5 kg | 71.65 lbs  
S: H135 Oak without cable tray:            33,2 kg | 73.19 lbs  
S: H135 Oak with cable tray:                35,9 kg | 79.15 lbs  
S: H135 White Laminate without cable tray:    33,7 kg | 74.30 lbs  
S: H135 White Laminate with cable tray:    36,1 kg | 79.59 lbs



M: H120 Oak without cable tray:            34,3 kg | 75.62 lbs  
M: H120 Oak with cable tray:                38,5 kg | 84.88 lbs  
M: H120 White Laminate without cable tray:    35,3 kg | 77.82 lbs  
M: H120 White Laminate with cable tray:    39,3 kg | 86.64 lbs  
M: H135 Oak without cable tray:            38 kg | 83.78 lbs  
M: H135 Oak with cable tray:                42,4 kg | 93.48 lbs  
M: H135 White Laminate without cable tray:    39,2 kg | 86.42 lbs  
M: H135 White Laminate with cable tray:    43,2 kg | 95.24 lbs

\*These solid wood worktops may contain knots, natural color variations and drying splits as normal features of the product. This contributes to the uniqueness of each worktop.



# Components

---

## Worktop without Cable Tray

S



M



## Worktop with Cable Tray

S



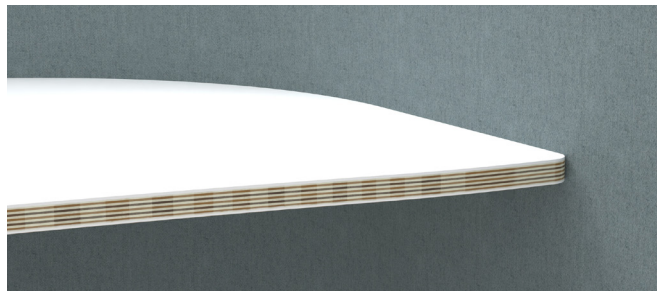
M



## Worktop



Antwerp Oak: These solid wood tablet may contain knots, natural color variations and drying splits as normal features of the product. This contributes to the uniqueness of each tablet.



White Laminate with birch multiplex core

---

## Metal Legs

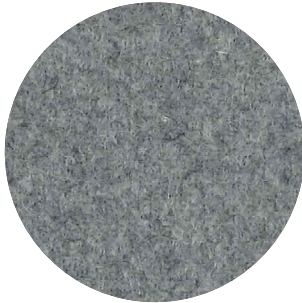


4 powder coated metal legs in black (RAL 9005) with adjustable feet

If the surface is slippery, you can apply the provided adhesive rubber pads onto the product's feet.

# Fabrics

## Fabric (45 colors)



**Category A**

**Composition** 70% Recycled Wool, 25% Recycled Polyacryl,  
5% Recycled Other Fabrics

**Weight** 405 g/m<sup>2</sup> | 11.94 oz/yd<sup>2</sup>

**Abrasion resistance** 40.000 Martindale, 50,000 Wyzenbeek

**Flammability** EU: EN 1021.1/2006 | BS EN 1021.1/2006 (cigarette).  
EN 1021.2/2006 | BS EN 1021.2/2006 (match)  
USA: CAL TB 117 | ASTM E84 CLASS A

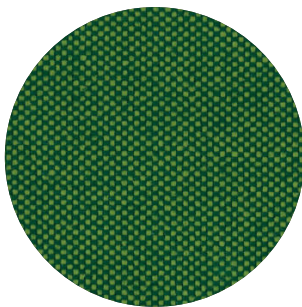
**Fastness to light** EU: 4 | USA 4

**Fastness to rubbing** EU: Wet 3-4 | Dry 4-5

**Fastness to crocking** USA: Wet 5 | Dry 5



## Trevira CS+ | CS (47 colors)



**Category A**

**Weight** 420 g/m<sup>2</sup> | 12.39 oz/yd<sup>2</sup>

**Composition** 100% Polyester, Trevira CS

**Abrasion resistance** 100.000 Martindale, 90,000 Wyzenbeek

**Flammability** BS 5852 part II: CRIB 5 | BS 7176 Medium Hazard  
USA: CAL TB 117 | M1 | B1 | EN 1021/1-2 | C1 |  
IMO Res. A652 (16)

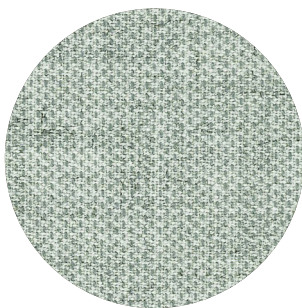
**Fastness to light** EU: 6 | USA 5

**Fastness to rubbing** EU: Wet 4-5 | Dry 4-5

**Fastness to crocking** USA: Wet 5 | Dry 5



## Clara 2 (24 colors)



**Category B**

**Composition** 92% new wool, 8% nylon

**Weight** 400 g/lin.m

**Abrasion resistance** 80.000 Martindale rubs, EN ISO 12947

**Flammability** EN 1021-1/2 | BS 5852, ignition source 2-3 | DIN 4102 B2  
NF D 60 013 | UNI 9175 11M | US Cal. Tech. Bull. 117, Sec. E  
NFPA 260 | IMO A.652(16)

**Fastness to light** Note 5-7, ISO 105-B02

**Fastness to rubbing** (ISO) dry 4-5, wet 4

**Pilling** Note 4, EN ISO 12945



kvadrat

## Remix 3 (73 colors)

kvadrat



**Category B**

**Composition** 90% new wool, 10% nylon

**Weight** 415 g/lin.m

**Abrasion resistance** 100.000 Martindale rubs, EN ISO 12947

**Flammability** EN 1021-1/2 | BS 5852 part 1

Önorm B1/Q1 | NF D 60 013 | UNI 9175, 1IM

AS/NZS 1530.3 | Cal. Tech. Bull. 117-2013

NFPA 260 | IMO FTP Code 2010:Part 8

**Fastness to light** Note 5-7, ISO 105-B02

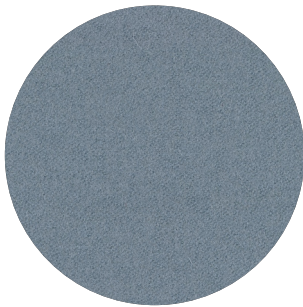
**Fastness to rubbing** (ISO) dry 4-5, wet 4

**Pilling** Note 4, EN ISO 12945



## Hero 2 (33 colors)

kvadrat



**Category C**

**Composition** 97% new wool, 3% nylon

**Weight** 580 g/lin.m

**Abrasion resistance** 45.000 Martindale rubs, EN ISO 12947

**Flammability** EN 1021-1/2 | DIN 4102 B2 | NF D 60 013

UNI 9175 1IM | US Cal. Bull. 117-2013 | NFPA 260

IMO A.652 (16)

**Fastness to light** Note 5-6, ISO 105-B02

**Fastness to rubbing** (ISO) dry 4-5, wet 4-5

**Pilling** Note 3-4, EN ISO 12945



## Tonus 4 (47 colors)

kvadrat



**Category D**

**Composition** 90% new wool, 10% Helanca

**Weight** 665 g/lin.m

**Abrasion resistance** 100.000 Martindale rubs, EN ISO 12947

**Flammability** EN 1021-1/2 | BS 5852 part 1 | DIN 4102 B2

Önorm B1/Q1 | NF D 60 013 | UNI 9175 1IM

US Cal. Bull. 117-2013 | NFPA 260 | IMO A.652 (16)

**Fastness to light** Note 5-7, ISO 105-B02

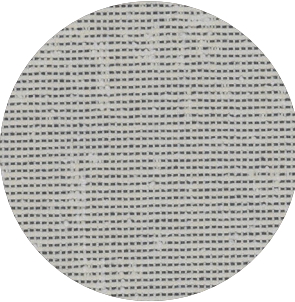
**Fastness to rubbing** (ISO) dry 3-5, wet 3-5

**Pilling** Note 3, EN ISO 12945



# Memory 2 (20 colors)

kvadrat



**Category** E

**Composition** 100% Trevira CS

**Weight** 700 g/lin.m

**Abrasion resistance**

35.000 rubs acc. to the Martindale method, EN ISO 12947

**Flammability** EN 1021-1/2 | DIN 4102 B1 | Önorm B1/Q1

NF D 60 013 | NF P 92 507 M1 | UNI 9175 11M

UNI 9177 classe 1 | US Cal. Tech. Bull. 117

IMO A.652 (16)

**Fastness to light** Note 5-8, ISO 105-B02

**Fastness to rubbing** (ISO) dry 4-5, wet 4-5

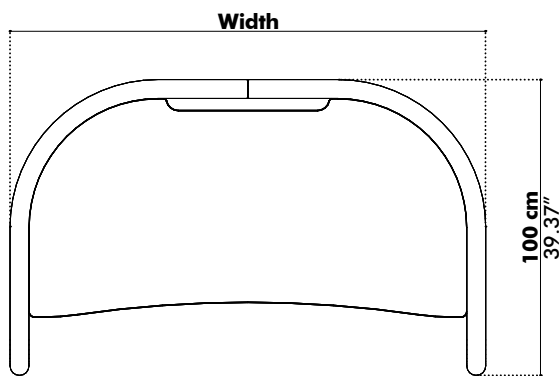
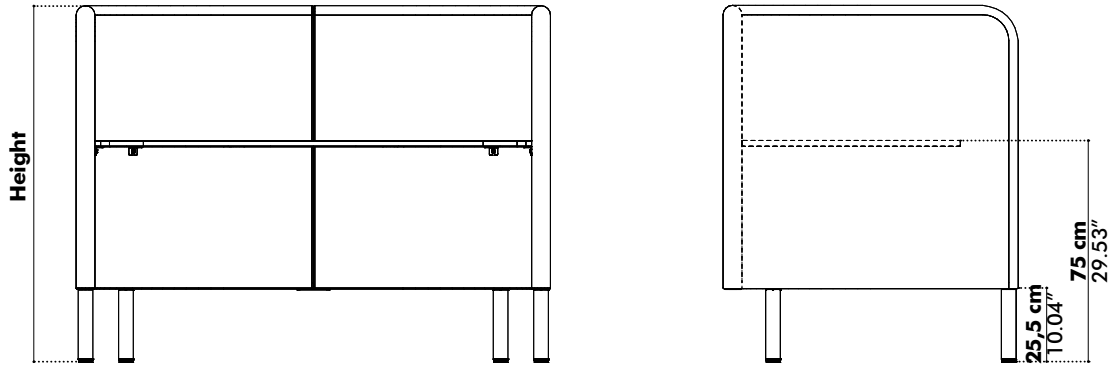
**Pilling** Note 4, EN ISO 12945





# Dimensions

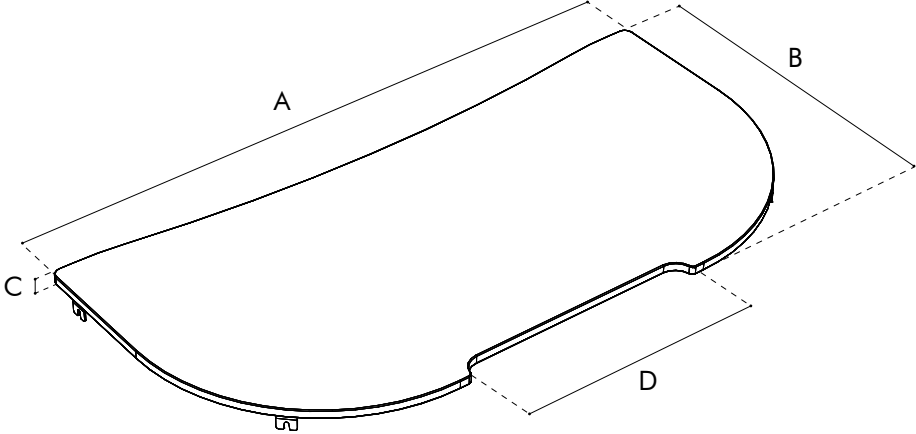
## BuzziHug Work



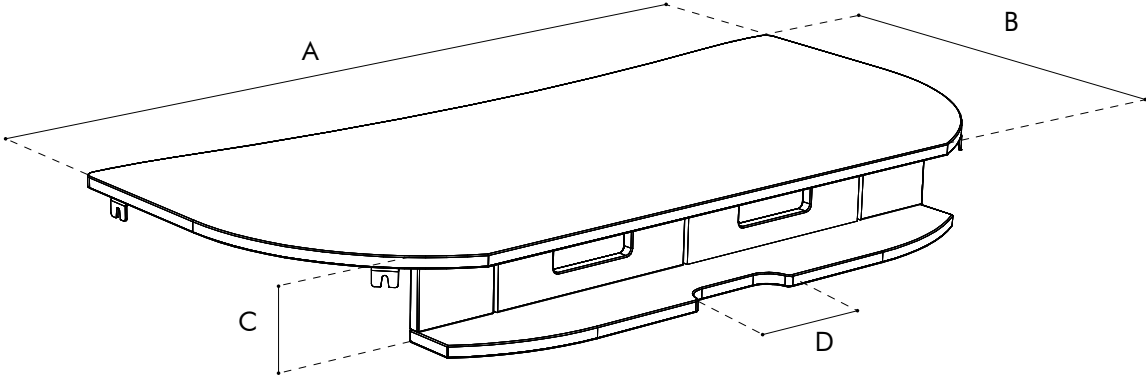
	Width		Height	
<b>S</b>	<b>125 cm</b>	49.21"	<b>120 cm</b>	47.24"
<b>M</b>	<b>165 cm</b>	64.96"	<b>135 cm</b>	53.15"

# Dimensions Worktop

Worktop without cable tray



Worktop with cable tray



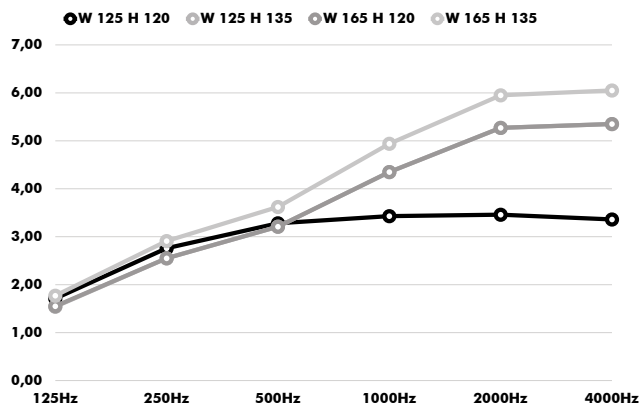
## BuzziTemp

		'A' Width	'B' Depth	'C' Height	'D' Width
<b>Worktop without cable tray</b>	S	108cm 42.52"	74 cm 29.13"	2 cm 0,79"	15 cm 5.91"
	M	148 cm 58.27"			55 cm 21.65"
<b>Worktop with cable tray</b>	S	108 cm 42.52"	74 cm 29.13"	16 cm 6.30"	15 cm 5.91"
	M	148 cm 58.27"			19 cm 7.48"

# Acoustics

## Hug Work

### Equivalent sound absorption area in m<sup>2</sup> per object



Hz	W 125 H 120 Aeq/m <sup>2</sup>	W 125 H 135 Aeq/m <sup>2</sup>	W 165 H 120 Aeq/m <sup>2</sup>	W 165 H 135 Aeq/m <sup>2</sup>
125	1.17	1.54	1.55	1.77
250	1.90	2.55	2.55	2.91
500	2.36	3.21	3.21	3.62
1000	3.22	4.35	4.35	4.94
2000	3.89	5.27	5.27	5.95
4000	3.93	5.35	5.35	6.05